



**VICTA
MOWER DIVISION**

A Unit of the Victa Group

REPLACEMENT PARTS MANUAL

for

**VICTA
PACE
MAYFAIR
& BARCLAY**

MOWERS & ENGINES

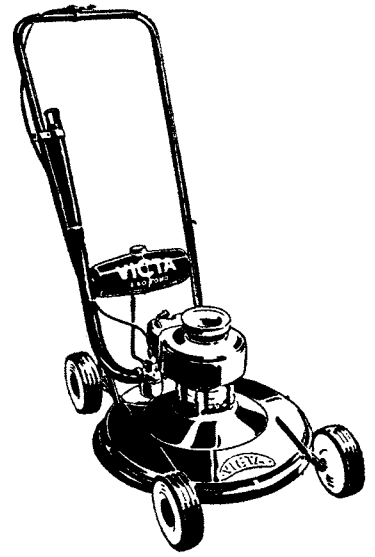
VICTA 1955-61



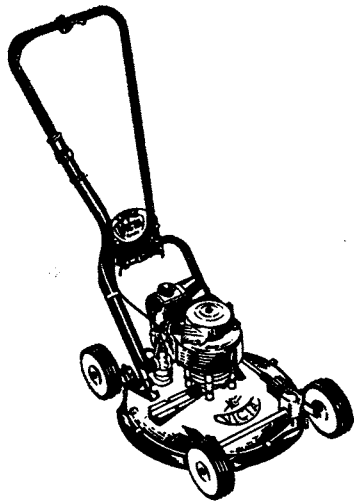
**VICTA
1955-56 ROTOMO 18"
MODEL 1**



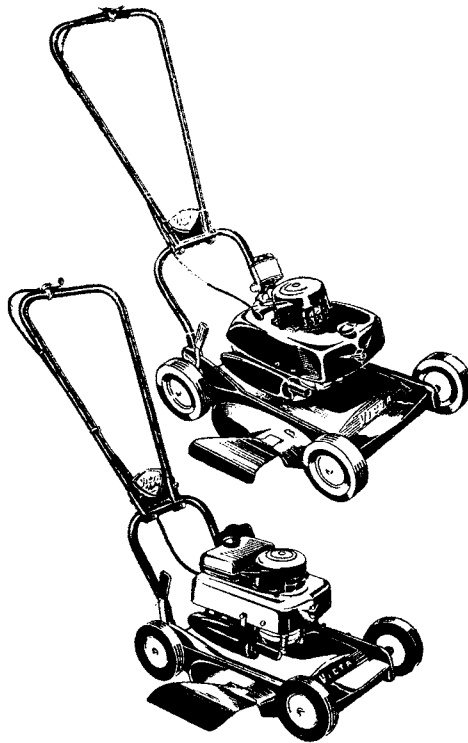
**VICTA
1956-57 ROTOMO 18"
MODEL 2**



**VICTA
1957-58 ROTOMO 18"
MODEL 2A**



**VICTA
1957-60 SPECIAL 18"
MODEL 5**



**VICTA
1960-61 SHEERLINE
MODELS 6 & 9**



**VICTA
1960-61 FOUR STAR
MODEL 7**

VICTA 1955-61

MOWER

Year	55-56	56-57	57-58	57-58	57-60	60-61	60-61	60-61
Model No.	1	2	2A	3	5	6 & 9	7	8

ENGINE

Model No.	1	4	5A	10	13	8A
-----------	---	---	----	----	----	----

CRANKSHAFT

Part No.	2A	2B	2C	—	2C
----------	----	----	----	---	----

MAGNETO

Type	Wico	Victa	Victa	Phelon	Victa
Model No.	Pacy	1	5E	GEE.488	5D

CARBURETTOR

Type	Victa			Walbro	Victa
Model No.	3F			LMG 134	3F

THROTTLE CONTROL

Lever	4D			Mechl.	4D
Cable	4-006			Govnr.	4-055

STARTER

Type	—	—	—	Rewind	Impulse	Rewind
Model No.	—	—	—	12D	25-104	12D

AIR FILTER

(For Choke or Snorkel see Section "J")

Model No.	—	—	—	—	4	—	4
-----------	---	---	---	---	---	---	---

CHASSIS

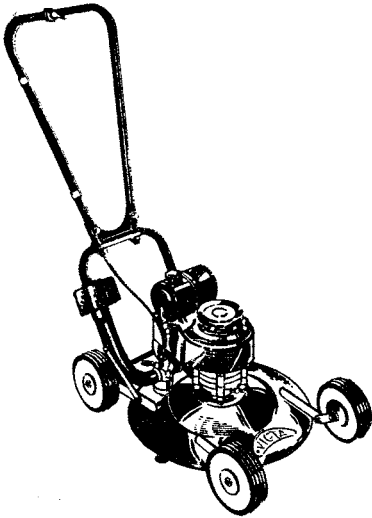
Model No.	1 Steel Wheels	2 Steel or Plastic Wheels	3	5	6	7	8
-----------	----------------------	---------------------------------	---	---	---	---	---

BLADE HOLDER

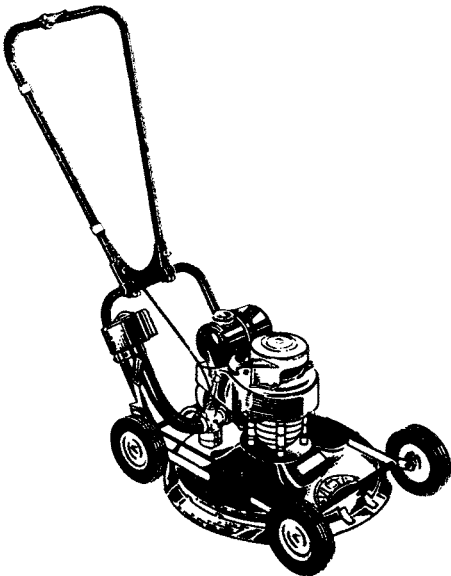
PART No.	9B			9-172	9C
----------	----	--	--	-------	----

GRASSCATCHER

Model No.	—	—	—	—	—	4 Front Support Pt. No. 11-059 required	—
-----------	---	---	---	---	---	--	---



VICTA
1957-58 ROTOMO 18"
MODEL 3



VICTA
1960-61 STANDARD
MODEL 8

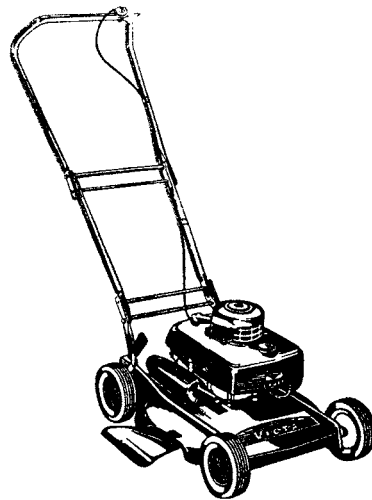
VICTA 1961-64



**VICTA
1961-62 FOUR STROKE
MODEL 7A**



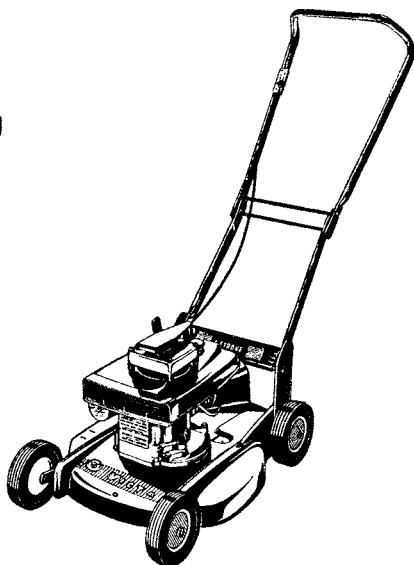
**VICTA
1962-63 UTILITY
MODEL 12**



**VICTA
1962-63 CADET
MODEL 501**



**VICTA
1962-63 VICEROY
MODELS 505 & 517**



**VICTA
1962-63 AMBASSADOR
MODEL 506**



**VICTA
1963-64 UTILITY
MODEL 509**

VICTA 1961-64

MOWER

Year	61-62	62-63	62-63	62-63	62-63	62-63	63-64	63-64
Model No.	7A	12	501	502	505 517	506	509	511

ENGINE

Model No.	14	8B	10A	14A	10C or 10G	14B	17A	17D
-----------	----	----	-----	-----	------------------	-----	-----	-----

CRANKSHAFT

Part No.	GEE.107	2C	—	2C	—	2C
----------	---------	----	---	----	---	----

MAGNETO

Type	Wico	Wico	Wico	Wico	Wico	Wico	Wico
Model No.	FW 2617	5E	5E or 5J	FW 2617	5E or 5J	FW 2617 *	5L

CARBURETTOR

Type	Zenith	Wico	Zenith	Wico	Zenith	Wico
Model No.	AH 914-B2	3F	AH 914-B2 ‡	3F	AH 914-B2 ‡	3L

THROTTLE CONTROL

Part No.	4-060	—	4-068	—	4-068	—
Lever	—	4D	—	4D	—	4D
Cable	—	4-055	4-041	‡‡4-041	—	4-079

STARTER

Type	Impulse	Rewind	Impulse	Impulse	Impulse	Rewind	Rewind
Model No.	25-104	12D	25-104	12-175 or 12F	12-177	12D	12J

AIR FILTER

(For Choke or Snorkel see Section "J")

Model No.	—	4	7G	—	7G or 7H	—	See Section "J"	7J
-----------	---	---	----	---	----------------	---	-----------------------	----

CHASSIS

Model No.	7	10	12A	12B	10A	11C	13B	14A
-----------	---	----	-----	-----	-----	-----	-----	-----

BLADE HOLDER

PART No.	9-172	9C	9-172	9-173	9C	9-172
No.	●	●	●	●	●	●

GRASSCATCHER

Model No.	4	—	4	7	—	4
-----------	---	---	---	---	---	---



**VICTA
1962-63 ENVOY
MODEL 502**



**VICTA
1963-64 CONSUL 2
MODEL 511**

* ALTERNATIVE MAGNETO 'PHELON' GEE.488
‡ ALTERNATIVE CARBURETTOR 'WALBRO' GEW.50
‡‡ ALTERNATIVE CABLE 4-069 OR 4-055

VICTA 1963-65



**VICTA
1963-64 CONSUL 4
MODEL 512**



**VICTA
1963-64 CORVETTE 2
MODEL 513**



**VICTA
1963-64 CORVETTE 4
MODEL 514**



**VICTA
1964-65 UTILITY
MODEL 510**



**VICTA
1964-65 CONSUL 2
MODEL 521**



**VICTA
1964-65 CONSUL 4
MODEL 522**

VICTA 1963-65

MOWER

Year	63-64	63-64	63-64	63-64	64-65	64-65	64-65	64-65
Model No.	512	513	514	515	510	521	522	527

ENGINE

Model No.	16A	17E	16B	15	17A	17D	16	17L
-----------	-----	-----	-----	----	-----	-----	----	-----

CRANKSHAFT

Part No.	—	2C	—	—	2C	—	2C
----------	---	----	---	---	----	---	----

MAGNETO

Type	Wico or Phelon	Victa	Phelon	Phelon	Victa	Phelon	Victa
Model No.		5L	GEE.488	GEB.799	5L	GEE.488	5L

CARBURETTOR

Type	Walbro	Victa	Walbro	Walbro	Victa	Walbro	Victa
Model No.	GEW. 50A	3L	GEW. 50A	GEW. 92	3L	GEW. 50B	3L

THROTTLE CONTROL

Model No.	4-068		4-080	4-080		4-080	
Lever		4D			4D or 4E		4E
Cable		4-041			4-079		4-041

STARTER

Type	Impulse	Impulse	Impulse	Rewind	Rewind	Impulse
Model No.	12-189	12-190	12-236	12D	12K	12-189

AIR FILTER

(For Choke or Snorkel see Section J)

Model No.	—	7J	—	—	See Section J	7J	—	7J
-----------	---	----	---	---	---------------	----	---	----

CHASSIS

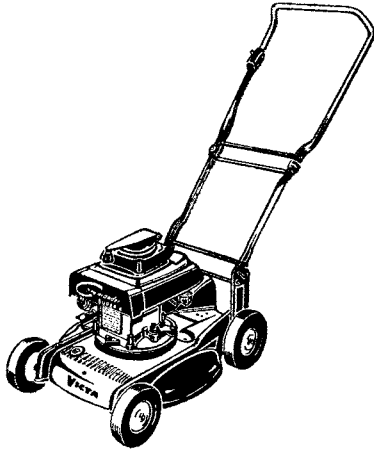
Model No.	14B	15A	15B	15C	13A	18A	18B	17A
-----------	-----	-----	-----	-----	-----	-----	-----	-----

BLADE HOLDER

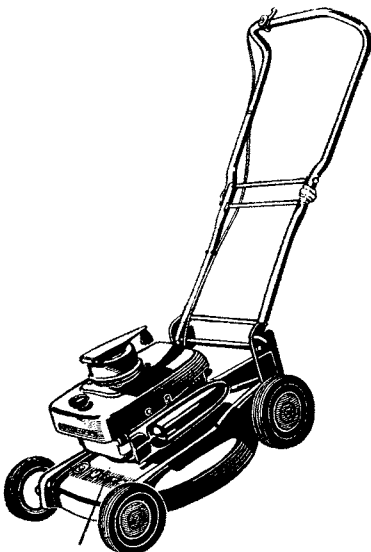
PART No.	9-172	9-173	9C	9-172	9-173
----------	-------	-------	----	-------	-------

GRASSCATCHER

Model No.	4	7	—	4	14
-----------	---	---	---	---	----

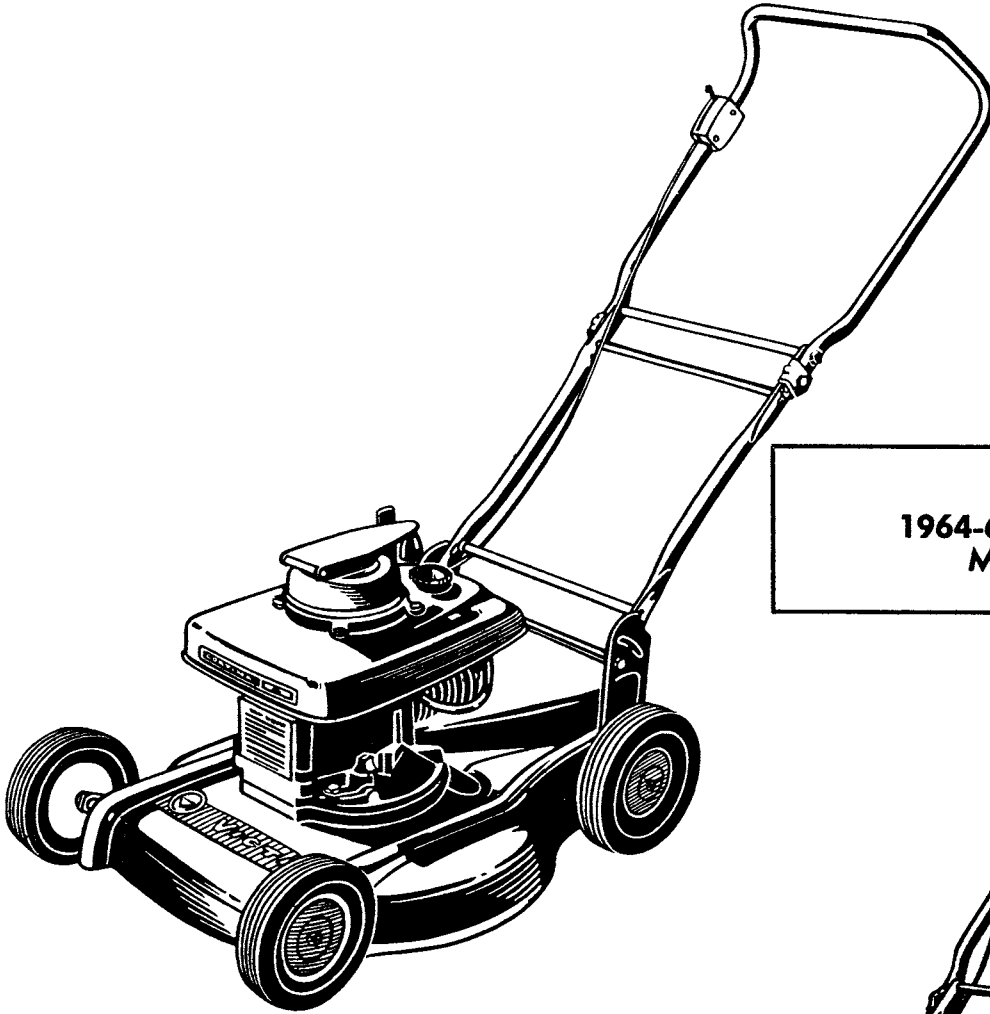


**VICTA
1963-64 COMMANDER
SUPER 4
MODEL 515**

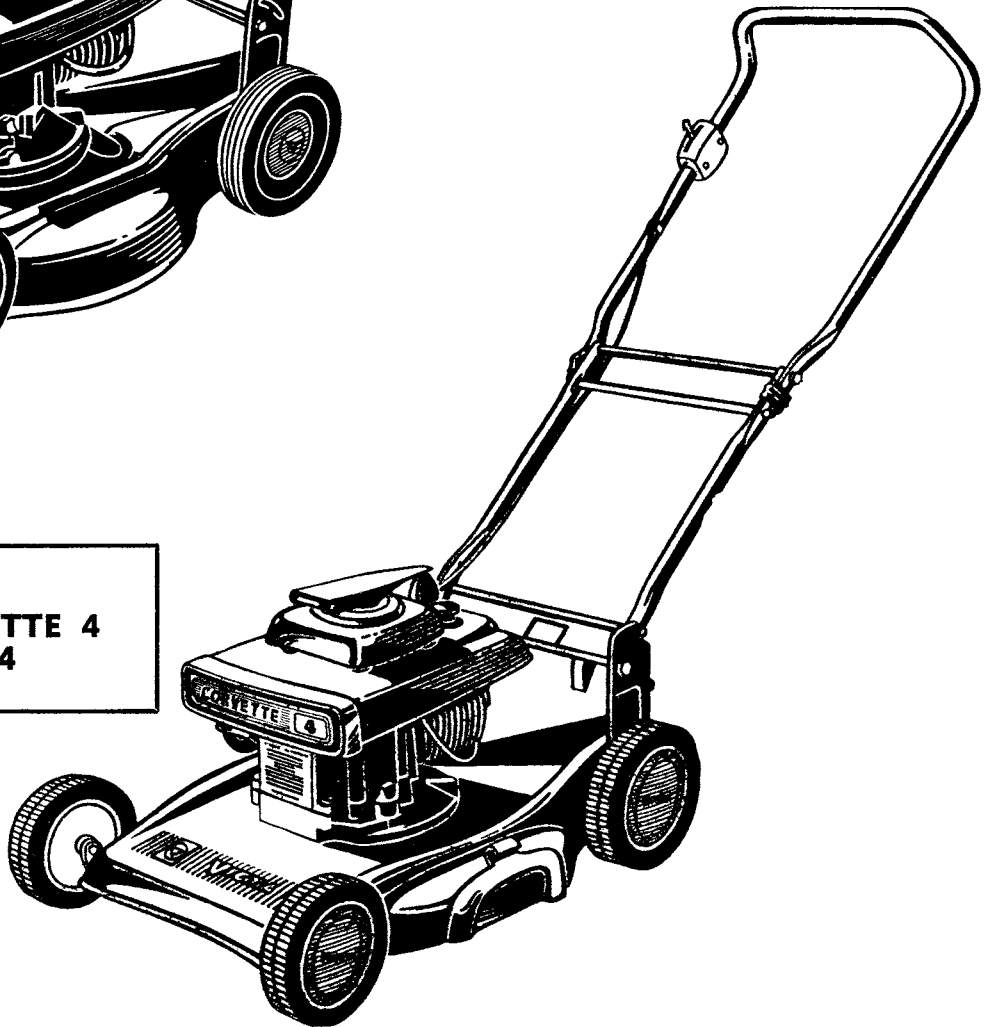


**VICTA
1964-65 CORTINA 2
MODEL 527**

VICTA 1964-66



**VICTA
1964-66 CORTINA 4
MODEL 528**



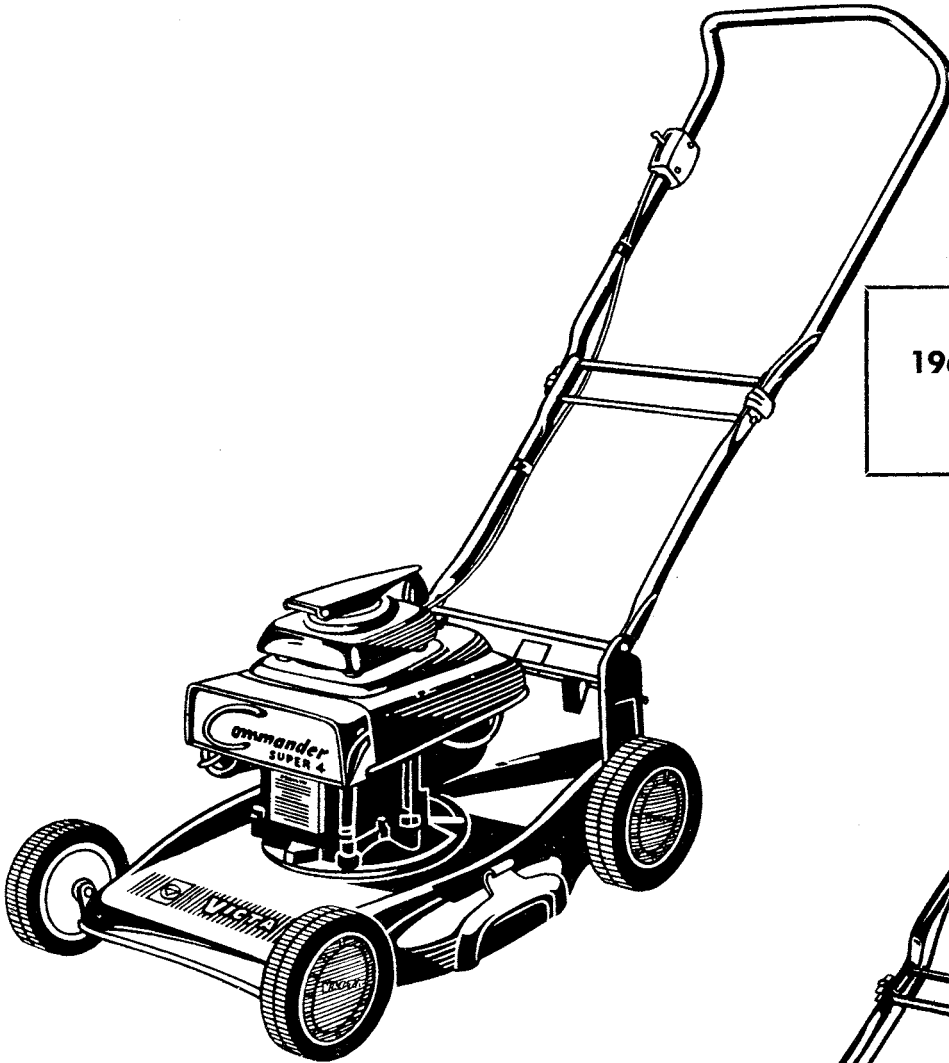
**VICTA
1964-66 CORVETTE 4
MODEL 524**

VICTA 1964-66

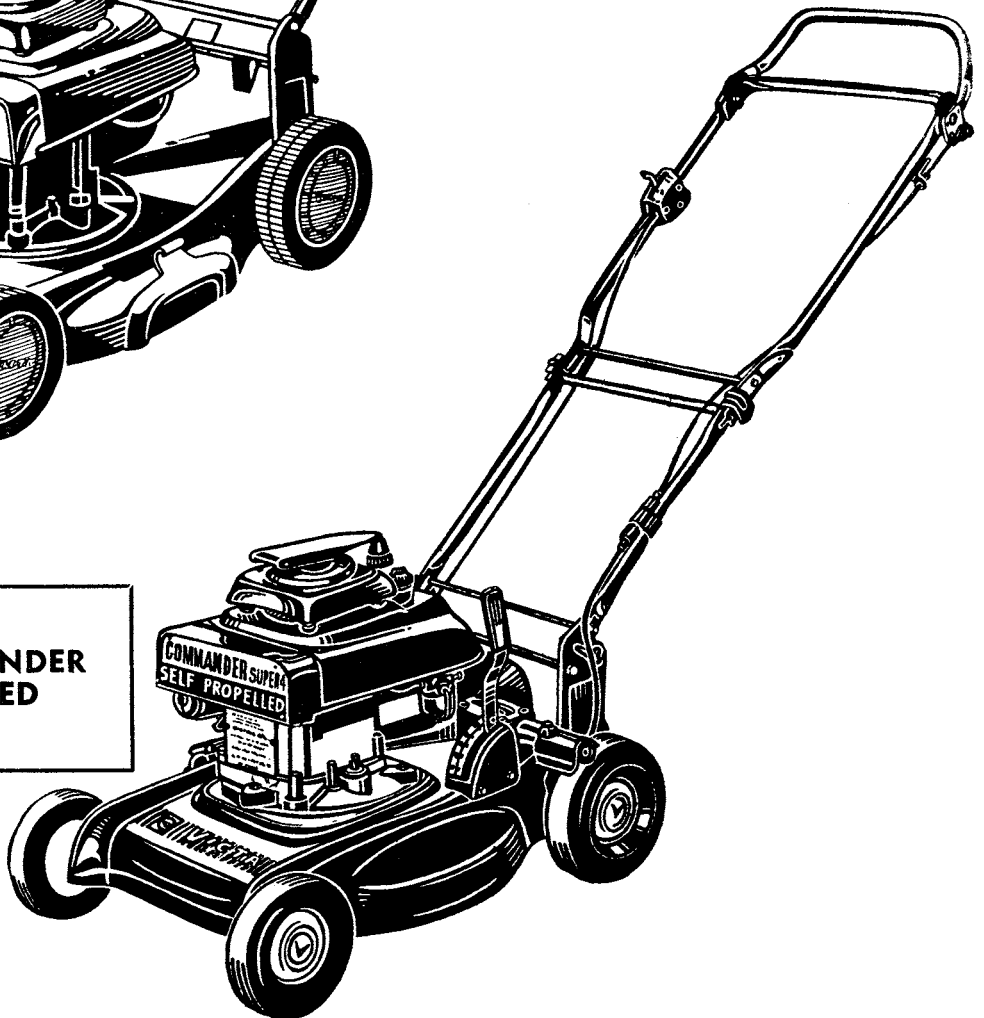
MOWER	CORTINA 4	CORVETTE 4
Year	64-66	64-66
Model No.	528	524
ENGINE		
Model No.	16F	16E
CRANKSHAFT		
Part No.	—	—
MAGNETO		
Type	PHELON	PHELON
Part No.	GEE.488	GEE.488
CARBURETTOR		
Type	WALBRO	WALBRO
Part No.	GEW.50B	GEW.50B
THROTTLE CONTROL		
Part No.	4-080	4-080
STARTER		
Type	IMPULSE	IMPULSE
Part No.	12-189	12-236
AIR FILTER		
Part No.	—	—
CHASSIS		
Model No.	17B	19B
BLADE HOLDER		
PART No.	● 9-173	● 9-173
GRASSCATCHER		
Model No.	14	14

VICTA 1964-66

VICTA
1964-65 COMMANDER
SUPER 4
MODEL 525



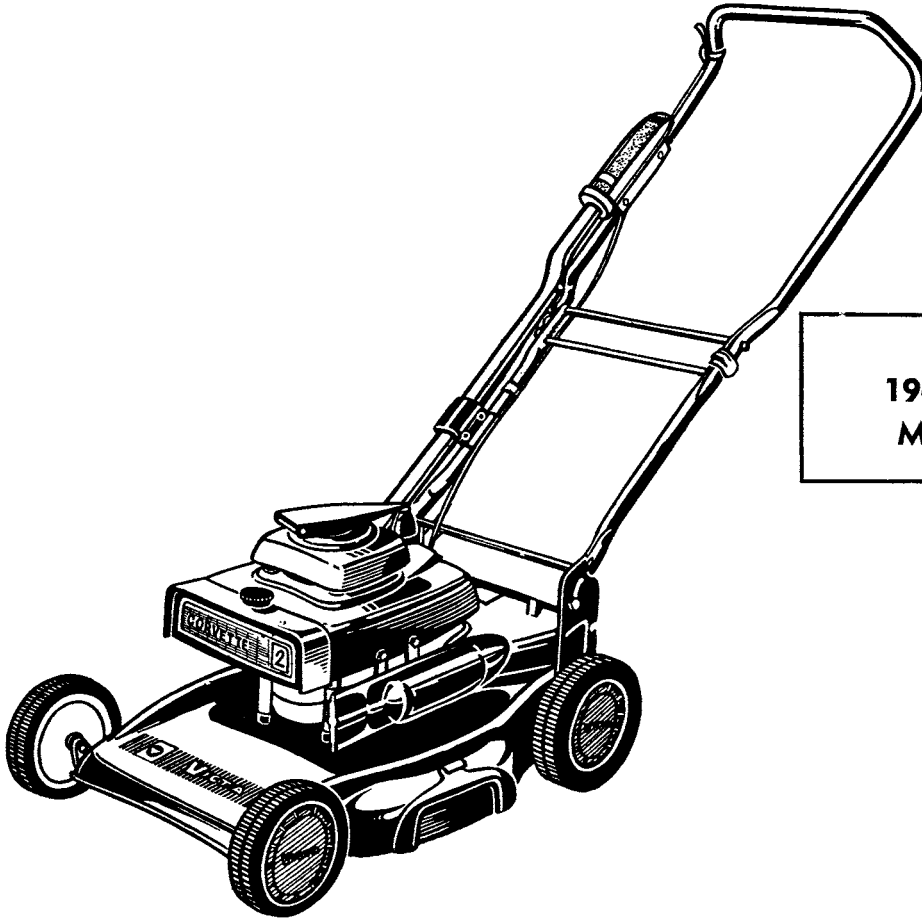
VICTA
1964-66 COMMANDER
SELF PROPELLED
MODEL 508



VICTA 1964-66

MOWER	COMMANDER SUPER 4	COMMANDER SELF PROPELLED
Year	1964-65	1964-66
Model No.	525	508
ENGINE		
Model No.	15C	15B
CRANKSHAFT		
Part No.	—	—
MAGNETO		
Type	PHELON	PHELON
Model No.	GEB.799	GEB.799
CARBURETTOR		
Type	WALBRO	WALBRO
Model No.	LMB92	LMB92
THROTTLE CONTROL		
Part No.	4-080	4-080
STARTER		
Type	IMPULSE	IMPULSE
Model No.	12-236	12-236
AIR FILTER		
	(For Choke or Snorkel see Section "J")	
Model No.	—	—
CHASSIS		
Model No.	19B	16
BLADE HOLDER		
<i>PART</i> No.	● 9-173	● 9-173
GRASSCATCHER		
Model No.	14	7

VICTA 1964-66



**VICTA
1964-66 CORVETTE 2
MODELS 523 & 533**

**VICTA
1965-66 CONSUL 4
MODEL 552**



VICTA 1964-66

MOWER		CORVETTE 2		CONSUL 4
Year		64-65	65-66	65-66
Model No.		523	533	552
ENGINE				
Model No.		17G	17K	16D
CRANKSHAFT				
Part No.		2C		—
MAGNETO				
Type		VICTA		PHELON
Model No.		5L		GEE.488
CARBURETTOR				
Type		VICTA		WALBRO
Model No.		3L		GEW.50B
THROTTLE CONTROL				
Part No.		---		4-080
Lever		4D and 4E		
Cable		4-041		
STARTER				
Type		IMPULSE		IMPULSE
Model No.		12-236		12-189
AIR FILTER				
Model No.		7J	7M	—
CHASSIS				
Model No.		19A		18B
BLADE HOLDER				
PART No.		● 9-173		● 9-172
GRASSCATCHER				
Model No.		14		10

VICTA 1965-68



VICTA
1965-68 CONSUL 2
MODELS 541 & 551



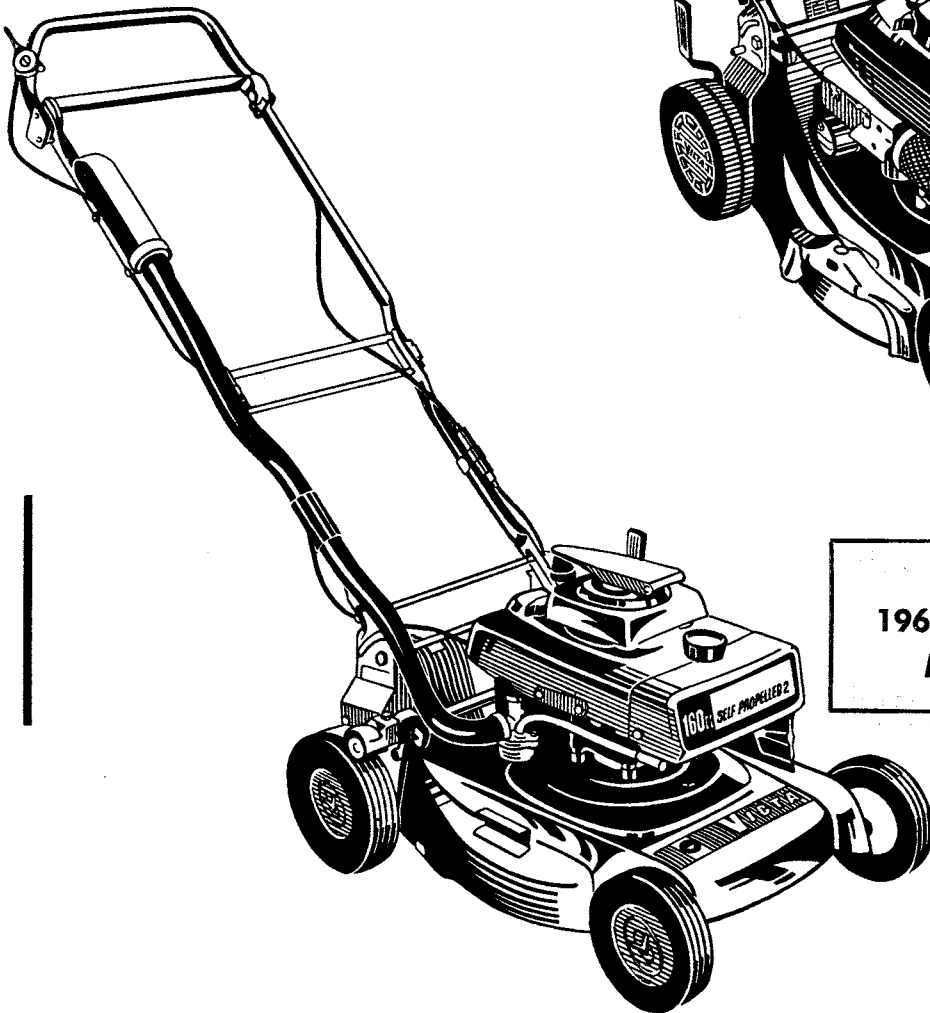
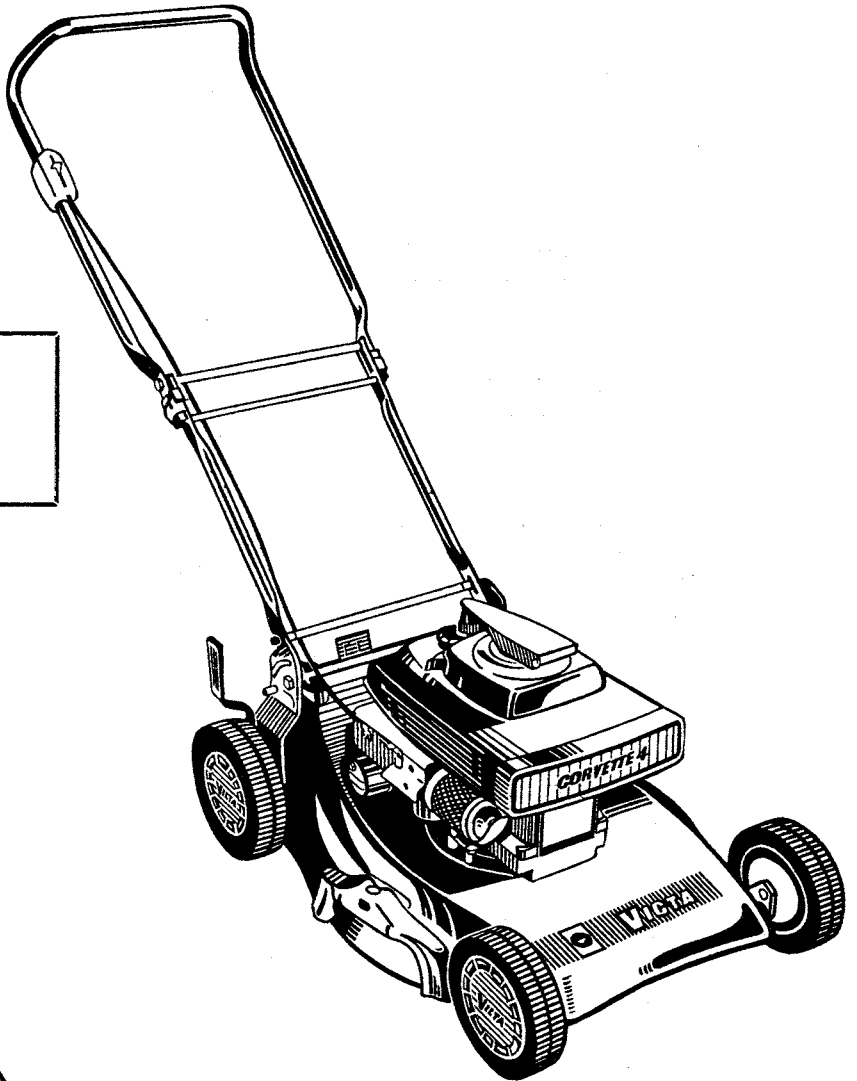
VICTA
1965-67 UTILITY
MODEL 530

VICTA 1965-68

MOWER	UTILITY		CONSUL 2		
Year	65-66	66-67	65-66	66-67	67-68
Model No.	530	530	541	551	551
ENGINE					
Model No.	17BB	17CF	17BC	17CE	17DB
CRANKSHAFT					
Part No.	2C		2C		
MAGNETO					
Type	VICTA		VICTA	VICTA	
Model No.	5L		5L	5M	
CARBURETTOR					
Type	VICTA		VICTA		
Model No.	3L		3L		
THROTTLE CONTROL					
Lever	4E		4E		
Cable	4-079		4-079		
STARTER					
Type	REWIND		IMPULSE		
Model No.	12D		12-189		
AIR FILTER					
Filter			7N	7R	
Choke	8-021				
Snorkel	8-012				
CHASSIS					
Model No.	13A	23A	18C		
BLADE HOLDER					
<i>PART</i> No.	● 9C		● 9-172		
GRASSCATCHER					
Model No.	—		4	10	

VICTA 1966-68

**VICTA
1966-68 CORVETTE 4
MODELS 534 & 544**



**VICTA
1966-68 SELF-PROPELLED
MODELS 548 & 558**

VICTA 1966-68

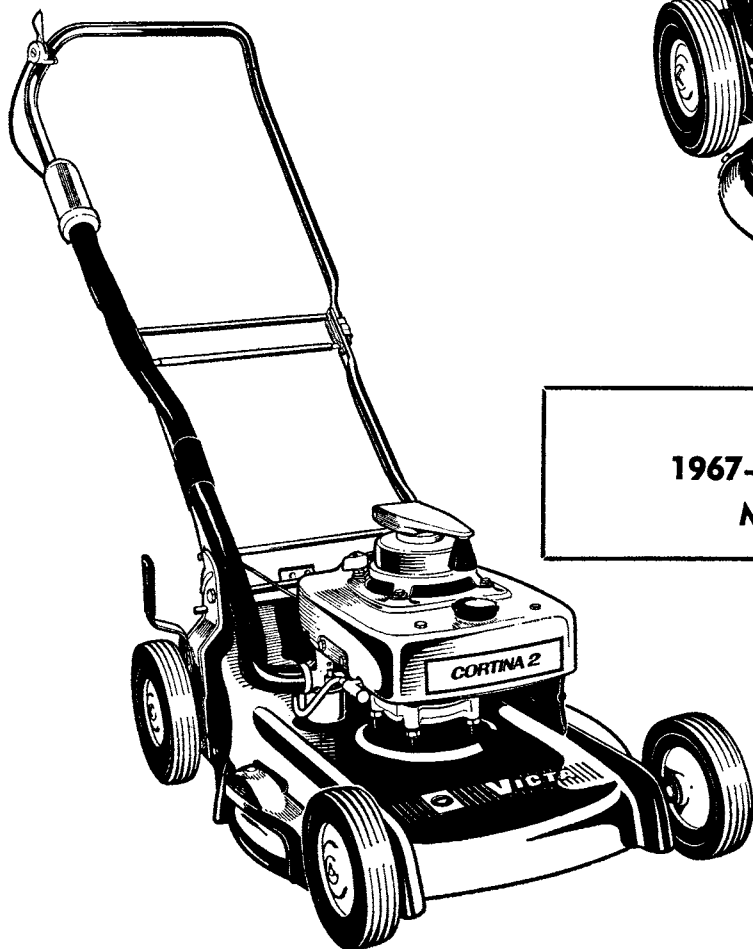
MOWER		CORVETTE 4		SELF-PROPELLED	
Year		66-67	67-68	66-67	67-68
Model No.		534	544	548	558
ENGINE					
Model No.		16E		19B	
CRANKSHAFT					
Part No.		—		2G	
MAGNETO					
Type		PHELON		VICTA	
Model No.		GEE.488		5M	
CARBURETTOR					
Type		WALBRO		VICTA	
Model No.		GEW.50B		3Q	
THROTTLE CONTROL					
Part No.		4-080		—	
Lever		—		4F	
Cable		—		4-117	
STARTER					
Type		IMPULSE		IMPULSE	
Model No.		12-236		12-236	
AIR FILTER					
Model No.		—		7M	
CHASSIS					
Model No.		22B	26B	548	558
BLADE HOLDER					
Part No.		9-173		9-173	
GRASSCATCHER					
Model No.		14		7	

VICTA 1967-68

**VICTA
1967-68 UTILITY
MODEL 540**



**VICTA
1967-68 CORTINA 2
MODEL 557**



VICTA 1967-68

MOWER	UTILITY	CORTINA 2
Year	67-68	67-68
Model No.	540	557
ENGINE		
Model No.	17DC	17DA
CRANKSHAFT		
Part No.	2C	2C
MAGNETO		
Type	VICTA	VICTA
Model No.	5M	5M
CARBURETTOR		
Type	VICTA	VICTA
Model No.	3L	3L
THROTTLE CONTROL		
Lever	4E	4E
Cable	4-079	4-041
STARTER		
Type	REWIND	IMPULSE
Model No.	12D	12-189
AIR FILTER & SNORKEL		
Filter	—	7T
Choke	8-021	—
Snorkel	8-012	—
CHASSIS		
Model No.	23B	25A
BLADE HOLDER		
PART Model No.	• 9c	• 9-173
GRASSCATCHER		
Model No.	—	14

VICTA 1967-68

**VICTA
1966-68 CORVETTE 2
125 c.c.
MODELS 535 & 545**



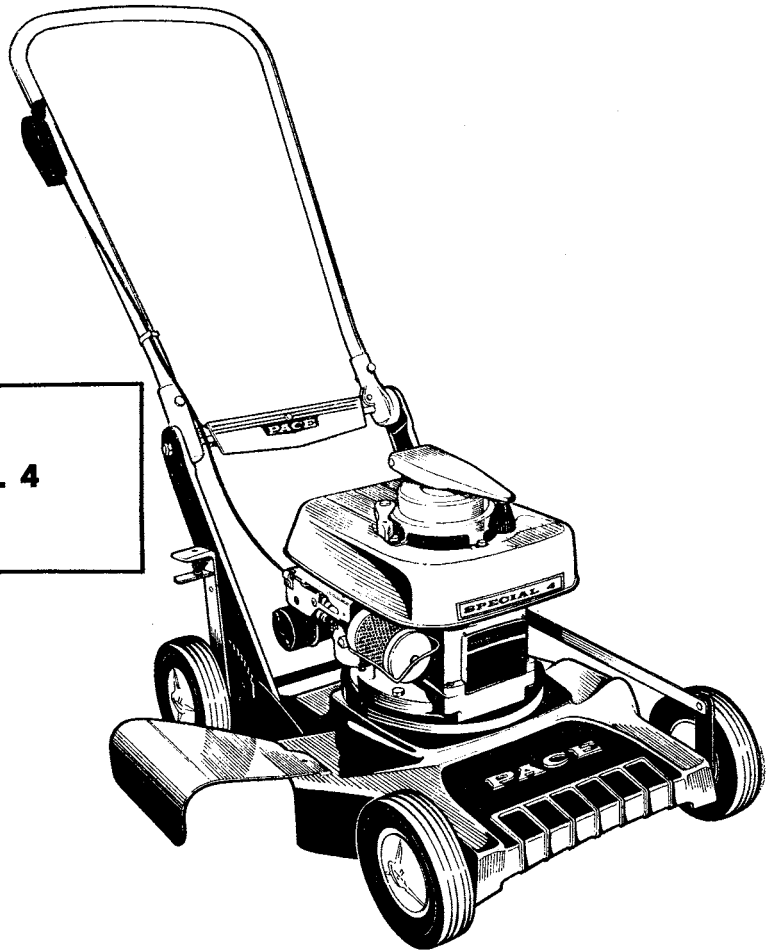
**VICTA
1967-68 CORVETTE 2
160 c.c.
MODEL 543**

VICTA 1966-68

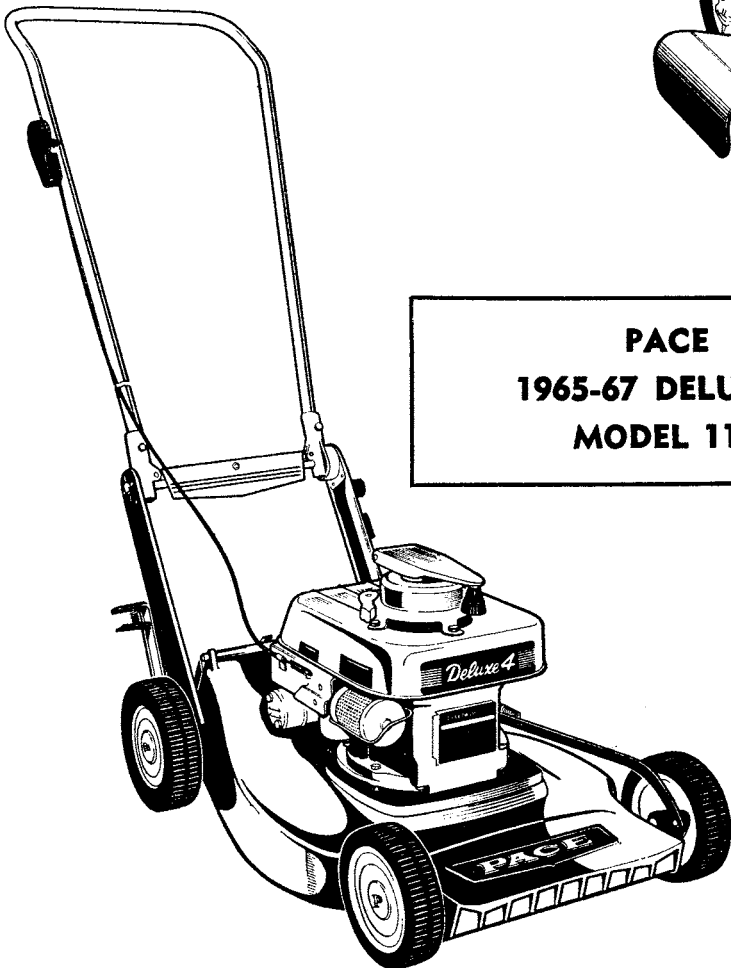
MOWER		CORVETTE 2—125 c.c.		CORVETTE 2—160 c.c.	
Year		66-67	67-68	67-68	
Model No.		535	545	543	
ENGINE					
Model No.		17CA	17DF	19C	
CRANKSHAFT					
Part No.		2C		2F	
MAGNETO					
Type		VICTA		VICTA	
Model No.		5M		5M	
CARBURETTOR					
Type		VICTA	VICTA	VICTA	
Model No.		3L	3Q	3S	
THROTTLE CONTROL					
Lever		4E	4F	4F	
Cable		4-041	4-117	4-117	
STARTER					
Type		IMPULSE		IMPULSE	
Model No.		12-236		12-236	
AIR FILTER & SNORKEL					
Model No.		7M		7M	
CHASSIS					
Model No.		19A	26A	26A	
BLADE HOLDER					
PART No.		9-173		9-173	
GRASSCATCHER					
Model No.		14		14	

PACE 1965-67

**PACE
1965-67 SPECIAL 4
MODEL 8P**



**PACE
1965-67 DELUXE 4
MODEL 11L**



PACE 1965-67

MOWER	SPECIAL 4	DELUXE 4
Year	65-66	65-67
Model No.	8P	11L
ENGINE		
Model No.	16R	16P
CRANKSHAFT		
Part No.	—	—
MAGNETO		
Type	PHELON	PHELON
Model No.	GEE.488	GEE.488
CARBURETTOR		
Type	WALBRO	WALBRO
Model No.	GEW.50B	GEW.50B
THROTTLE CONTROL		
Part No.	4-129	4-090
STARTER		
Type	IMPULSE	IMPULSE
Model No.	12-246	12-246
AIR FILTER		
	—	—
CHASSIS		
Model No.	8P	11L
BLADE HOLDER		
<i>PART</i> No.	9-211	9-212
GRASSCATCHER		
Model No.	12	11

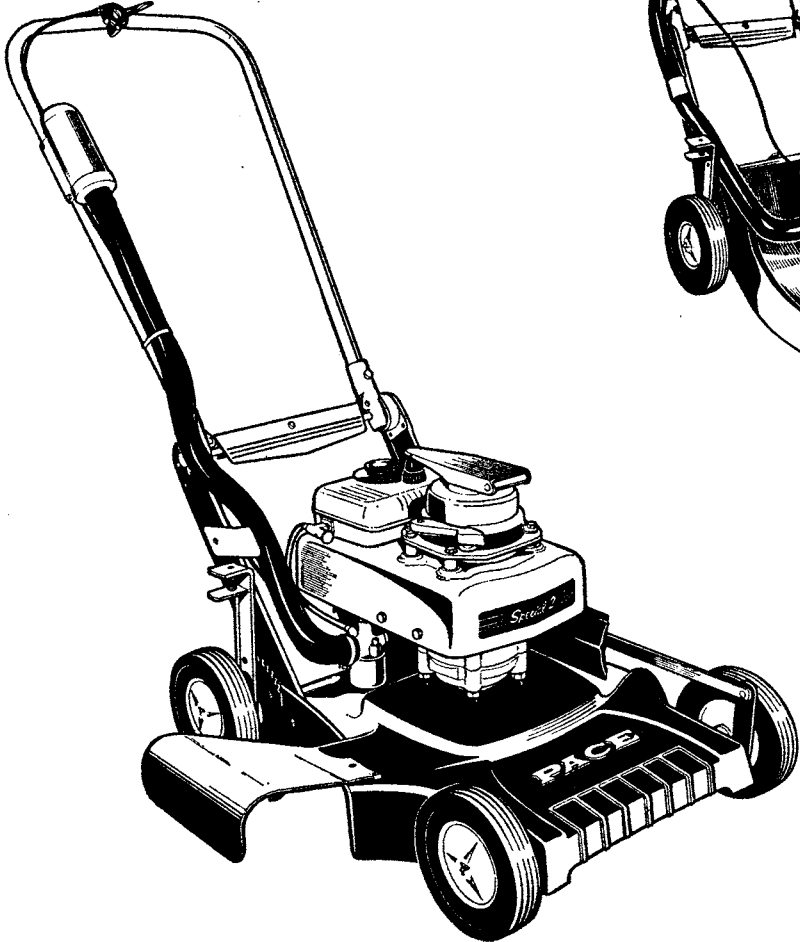
PACE 1965-68

**PACE
1965-67 DELUXE 2
MODELS 11T & 11B**



MODEL 11T

MODEL 11B



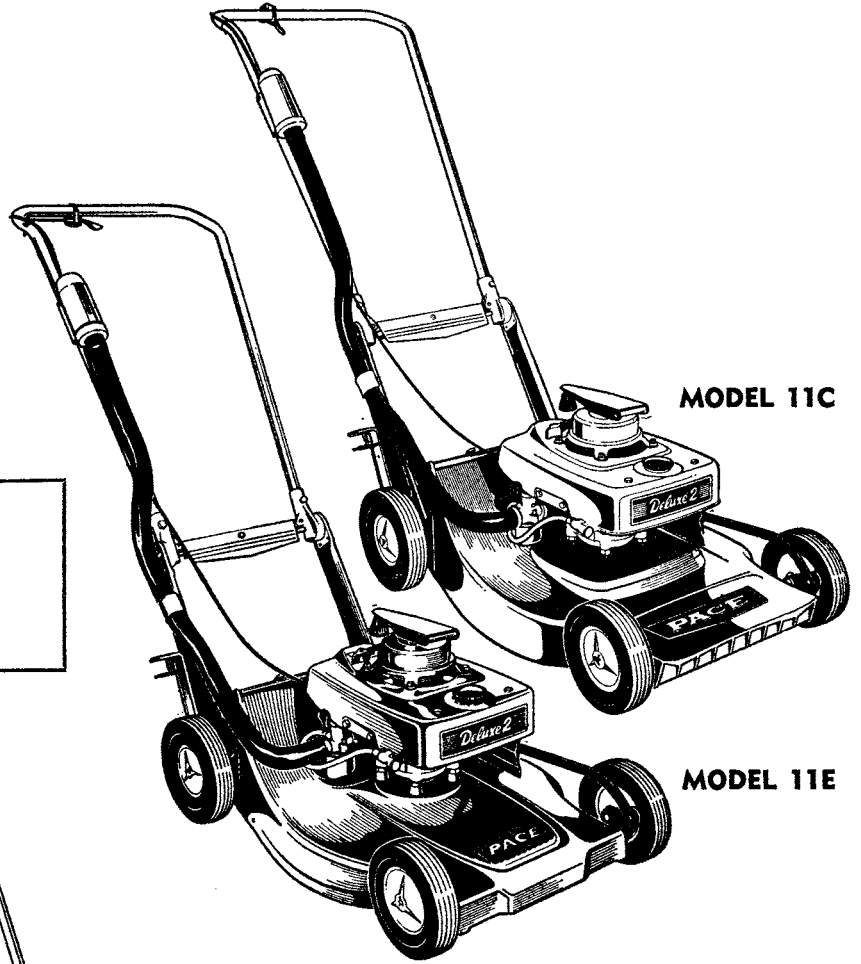
**PACE
1965-68 SPECIAL 2
MODELS 8T & 8A**

PACE 1965-68

MOWER	DELUXE 2		SPECIAL 2		
Year	65-66	66-67	65-66	66-67	67-68
Model No.	11T	11B	8T	8A	8A
ENGINE					
Model No.	17BF	17CC	17BG	17CH	17DE
CRANKSHAFT					
Part No.	2E	2C	2E	2C	
MAGNETO					
Type	VICTA	VICTA	VICTA	VICTA	
Model No.	5L	5M	5L	5M	
CARBURETTOR					
Type	VICTA		VICTA		
Model No.	3L		3L		
THROTTLE CONTROL					
Lever	4E		4E		
Cable	4-079	4-101	4-079		
STARTER					
Type	IMPULSE		IMPULSE		
Model No.	12-236		12-246		
AIR FILTER					
Model No.	7P	7S	7P	7Q	
CHASSIS					
Model No.	11T	11B	8T	8A	
BLADE HOLDER					
PART No.	9-212		9-211	9-233	
GRASSCATCHER					
Model No.	11		12		

PACE 1967-68

PACE
1967-68 DELUXE 2
MODELS 11C & 11E

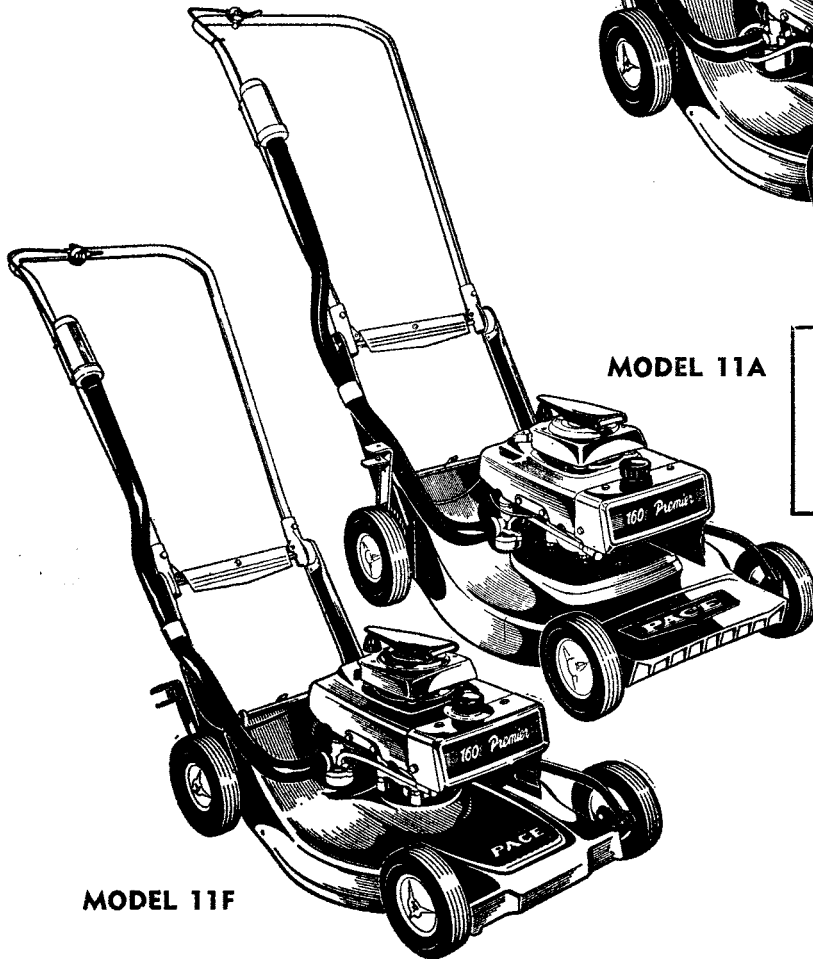


MODEL 11C

MODEL 11E

MODEL 11A

PACE
1967-68 PREMIER 160 c.c.
MODELS 11A & 11F



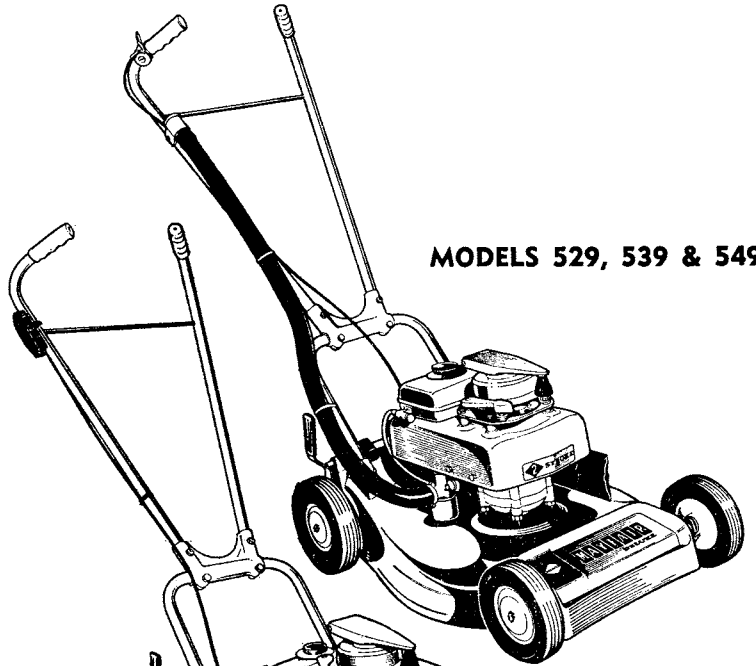
MODEL 11F

PACE 1967-68

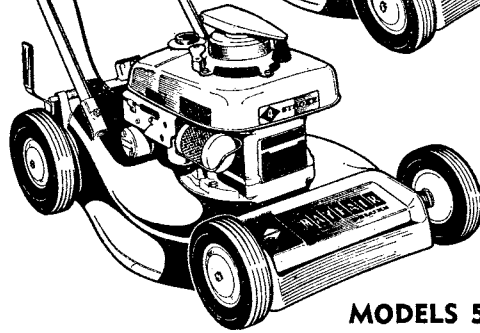
MOWER		DELUXE 2		PREMIER 160 c.c.	
Year	67-68		67-68		
Model No.	11C	11E	11A	11F	
ENGINE					
Model No.	17DG		19D		
CRANKSHAFT					
Part No.	2C		2F		
MAGNETO					
Type	VICTA		VICTA		
Model No.	5M		5M		
CARBURETTOR					
Type	VICTA		VICTA		
Model No.	3L		3Q		
THROTTLE CONTROL					
Lever	4E		4F		
Cable	4-101		4-145		
STARTER					
Type	IMPULSE		IMPULSE		
Model No.	12-189		12-236		
AIR FILTER					
Model No.	7S		7S		
CHASSIS					
Model No.	11C	11E	11A	11F	
BLADE HOLDER					
PART No.	9-212	9-212 9-217	9-212	9-212 9-217	
GRASSCATCHER					
Model No.	11		11		

STENCIL 1965-68

1965-68 MAYFAIR 2 & 4
MODELS 529, 539, 549,
520 & 526



MODELS 529, 539 & 549



MODELS 520 & 526

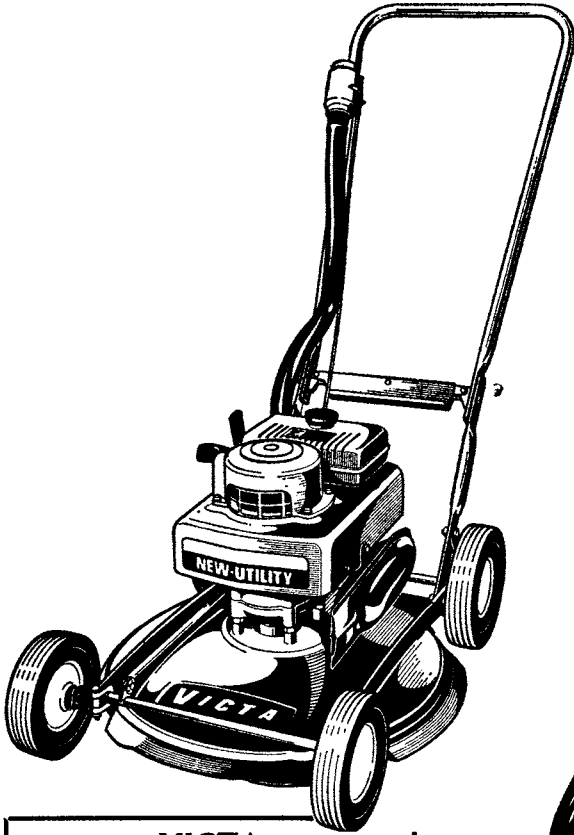


1965-68 "BARCLAY"
MODEL 4B

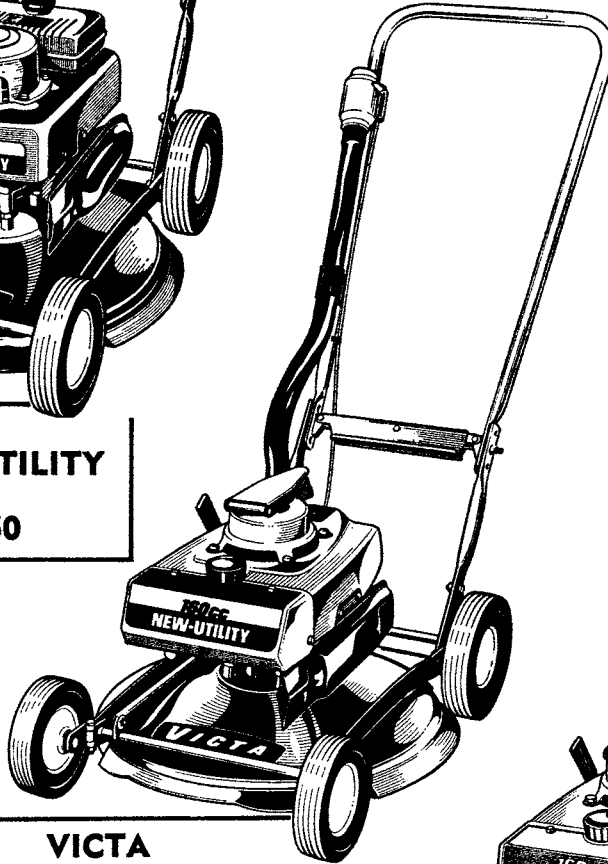
STENCIL 1965-68

MOWER		MAYFAIR 2			MAYFAIR 4			BARCLAY
Year		65-66	66-67	67-68	65-66	66-67	67-68	65-68
Model No.		529	539	549	520	520	526	4B
ENGINE								
Model No.		17N	17CG	17DD	16C			16N
CRANKSHAFT								
Part No.		2C			—			—
MAGNETO								
Type		VICTA	VICTA		PHELON			PHELON
Model No.		5L	5M		GEE.488			GEE.488
CARBURETTOR								
Type		VICTA			WALBRO			WALBRO
Model No.		3L			GEW.50B			GEW.50B
THROTTLE CONTROL								
Part No.		—			4-090			4-128
Lever		4E			—			—
Cable		4-041	4-079		—			—
STARTER								
Type		IMPULSE			IMPULSE			IMPULSE
Model No.		12-246			12-246			12-246
AIR FILTER								
Choke		8-900			—			—
Snorkel		8-980			—			—
CHASSIS								
Model No.		30A			30B			31
BLADE HOLDER								
<i>PART</i> No.		● 9-173			● 9-173			9-220
GRASSCATCHER								
Model No.		9			9			5

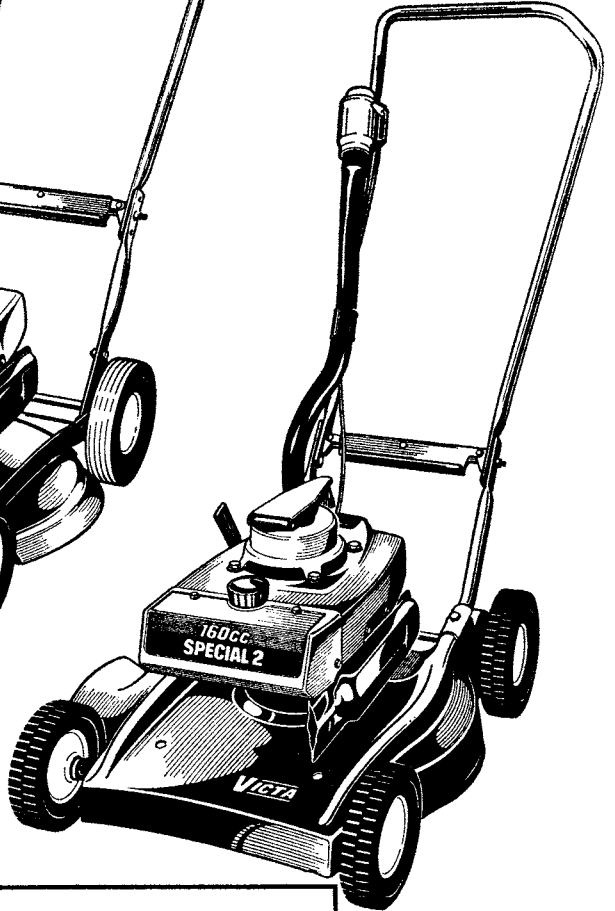
VICTA 1968-69



**VICTA
1968-69 NEW-UTILITY
125 c.c.
MODEL 550**



**VICTA
1968-69 NEW-UTILITY
160 c.c.
MODEL 560**



**VICTA
1968-69 SPECIAL 2
MODEL 562**

VICTA 1968-69

MOWER	NEW-UTILITY 125 c.c.	NEW-UTILITY 160 c.c.	SPECIAL 2 160 c.c.
Year	68-69	68-69	68-69
Model No.	550	560	562
ENGINE			
Model No.	2680	4680	5680
CRANKSHAFT			
Part No.	2C	2F	2F
MAGNETO			
Type	VICTA	VICTA	VICTA
Part No.	5-355	5-355	5-355
CARBURETTOR			
Type	VICTA	VICTA	VICTA
Part No.	3-260	3-260	3-260
THROTTLE CONTROL			
Control Assembly	4-161	4-161	4-161
Cable Ass. Complete	4-163	4-163	4-163
STARTER			
Type	REWIND	IMPULSE	IMPULSE
Model No.	12D	12-189	12-189
AIR FILTER & SNORKEL			
Assy. Part No.	7-250	7-250	7-250
CHASSIS			
Model No.	550	560	562
BLADE HOLDER			
Part No.	9-255	9-255	9-252
GRASSCATCHER			
Model No.	_____	_____	_____

VICTA 1968-69



**VICTA
1968-69 CORTINA 2
MODEL 567**



**VICTA
1968-69 CORVETTE 4
MODEL 554**



**VICTA
1968-69 CORVETTE 2
MODEL 563**

VICTA 1968-69

MOWER	CORTINA 2 125 c.c.	CORVETTE 4	CORVETTE 2 160 c.c.
Year	68-69	68-69	68-69
Model No.	567	554	563
ENGINE			
Model No.	1680	16E	6680
CRANKSHAFT			
Part No.	2C	—————	2F
MAGNETO			
Type	VICTA	PHELON	VICTA
Part No.	5-355	GEE.488	5-355
CARBURETTOR			
Type	VICTA	WALBRO	VICTA
Part No.	3-260	GEW.50B	3-260
THROTTLE CONTROL			
Control Assembly	4-161	4-167	4-161
Cable Ass. Complete	4-157		4-157
STARTER			
Type	IMPULSE	IMPULSE	IMPULSE
Model No.	12-189	12-236	12-236
AIR FILTER & SNORKEL			
Assy. Part No.	7-252	—————	7-186
CHASSIS			
Model No.	567	554	563
BLADE HOLDER			
Part No.	9-252	9-252	9-252
GRASSCATCHER			
Model No.	14	14	14

VICTA 1968-69



**VICTA
1968-69 SELF-PROPELLED
MODEL 568**



**VICTA
1968-69 KEY-LECTRIC
MODEL 564**

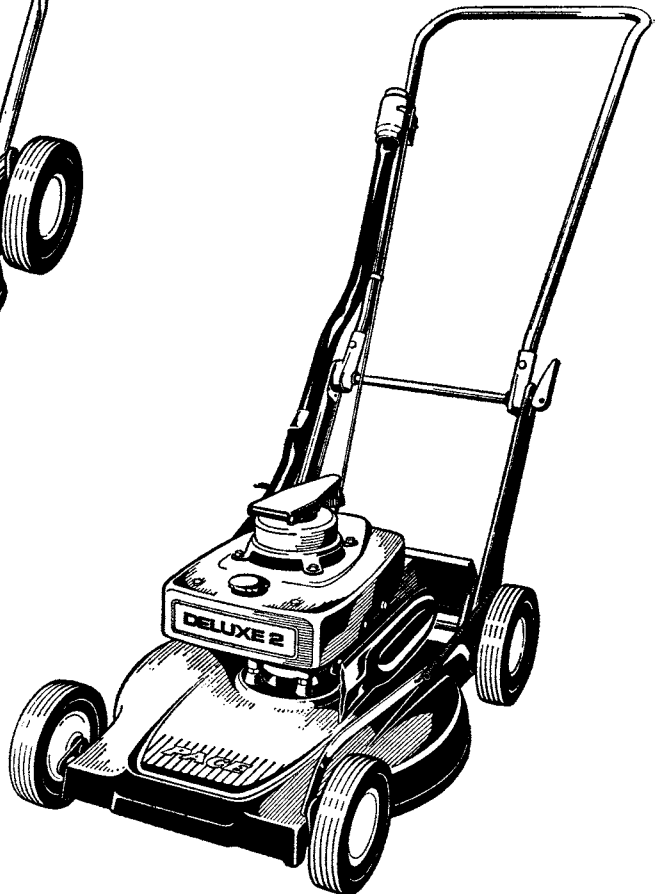
VICTA 1968-69

MOWER	SELF-PROPELLED 2 160 c.c.	KEY-LECTRIC
Year	68-69	68-69
Model No.	568	564
ENGINE		
Model No.	7680	VK30H4336
CRANKSHAFT		
Part No.	2G	_____
MAGNETO		
Type	VICTA	PHELON
Part No.	5-355	J25
CARBURETTOR		
Type	VICTA	TECUMSEH
Part No.	3-260	270L158
THROTTLE CONTROL		
Control Assembly	4-161	4-177
Cable Ass. Complete	4-157	_____
STARTER		
Type	IMPULSE	ELECTRIC 12-373
Model No.	12-236	REWIND 12-367
AIR FILTER & SNORKEL		
Assy. Part No.	7-186	7-251
CHASSIS		
Model No.	568	564
BLADE HOLDER		
Part No.	9-256 or 9-252	9-252
GRASSCATCHER		
Model No.	14	14

PACE 1968-69



**PACE
1968-69 UTILITY 2
MODEL 12A**

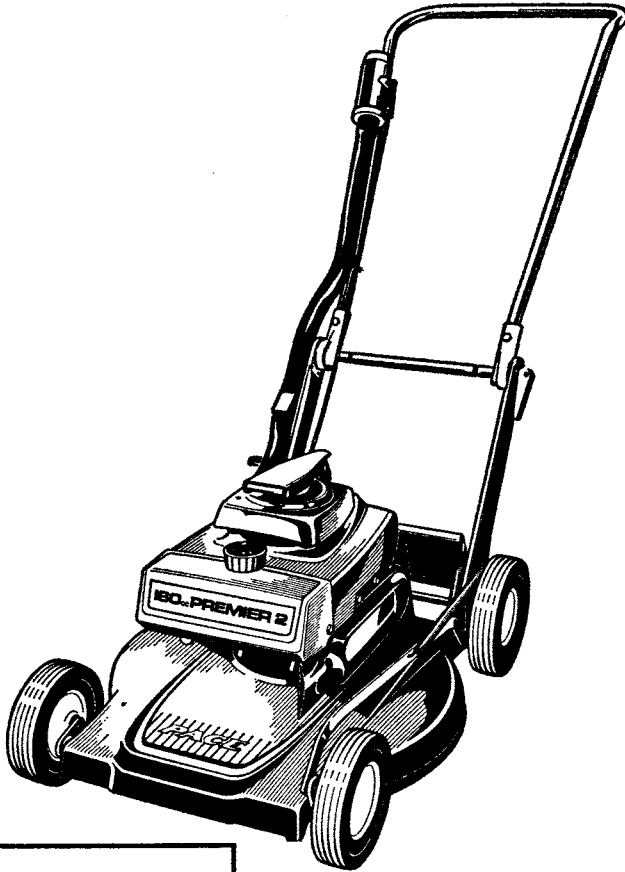


**PACE
1968-69 DELUXE 2
MODEL 11G**

PACE 1968-69

MOWER	UTILITY	DELUXE 2
Year	68-69	68-69
Model No.	12A	11G
ENGINE		
Model No.	12680	8680
CRANKSHAFT		
Part No.	2C	2C
MAGNETO		
Type	VICTA	VICTA
Part No.	5-355	5-355
CARBURETTOR		
Type	VICTA	VICTA
Part No.	3-260	3-260
THROTTLE CONTROL		
Control Assembly	4-161	4-161
Cable Ass. Complete	4-163	4-164
STARTER		
Type	REWIND	IMPULSE
Model No.	12D	12-189
AIR FILTER & SNORKEL		
Assy. Part No.	7-259	7-260
CHASSIS		
Model No.	12A	11G
BLADE HOLDER		
Part No.	9-252	9-252
GRASSCATCHER		
Model No.	12	17

PACE 1968-69



**PACE
1968-69 PREMIER 2
MODEL 11J**



**PACE
1968-69 AUTO-KEY
MODEL 11K**

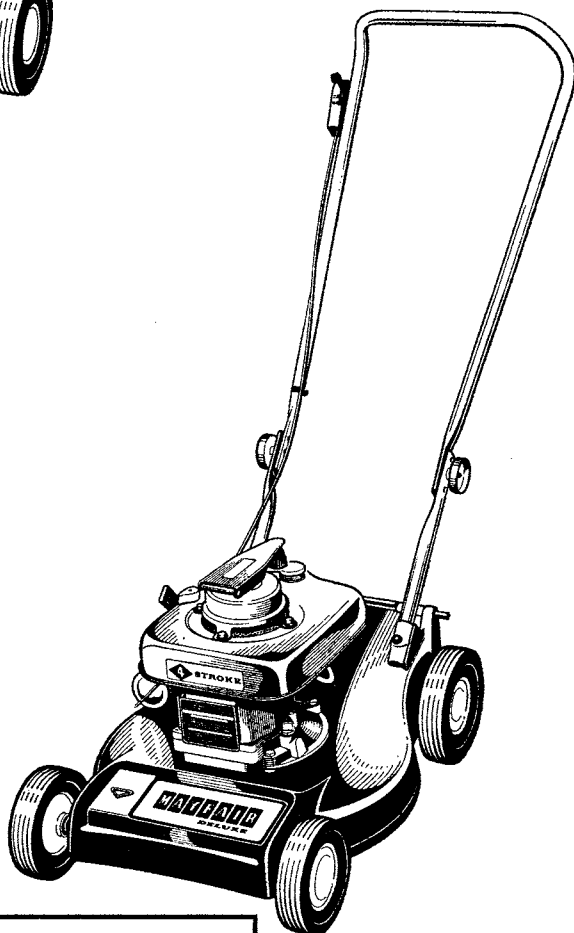
PACE 1968-69

MOWER		PREMIER 160 c.c.	AUTO-KEY
Year		68-69	68-69
Model No.		11J	11K
ENGINE			
Model No.		9680	VK30H4337
CRANKSHAFT			
Part No.		2F	_____
MAGNETO			
Type		VICTA	PHELON
Part No.		5-355	J25
CARBURETTOR			
Type		VICTA	TECUMSEH
Part No.		3-260	270L158
THROTTLE CONTROL			
Control Assembly		4-161	4-173
Cable Ass. Complete		4-164	_____
STARTER			
Type		IMPULSE	ELECTRIC 12-373
Model No.		12-236	REWIND 12-381
AIR FILTER & SNORKEL			
Assy. Part No.		7-249	7-258
CHASSIS			
Model No.		11J	11K
BLADE HOLDER			
Part No.		9-252	9-252
GRASSCATCHER			
Model No.		17	17

STENCIL 1968-69



**MAYFAIR
1968-69 DELUXE 2
MODEL 559**



**MAYFAIR
1968-69 DELUXE 4
MODEL 556**

STENCIL 1968-69

MOWER	MAYFAIR 2	MAYFAIR 4
Year	68-69	68-69
Model No.	559	556
ENGINE		
Model No.	3680	VK30H4350
CRANKSHAFT		
Part No.	2C	_____
MAGNETO		
Type	VICTA	PHELON
Part No.	5-355	J2
CARBURETTOR		
Type	VICTA	TECUMSEH
Part No.	3-260	270L126
THROTTLE CONTROL		
Control Assembly	4-161	4-090
Cable Ass. Complete	4-163	_____
STARTER		
Type	IMPULSE	IMPULSE
Model No.	12-189	12-246
AIR FILTER & SNORKEL		
Assy. Part No.	7-259	_____
CHASSIS		
Model No.	559	556
BLADE HOLDER		
Part No.	9-252	9-252
GRASSCATCHER		
Model No.	15	15